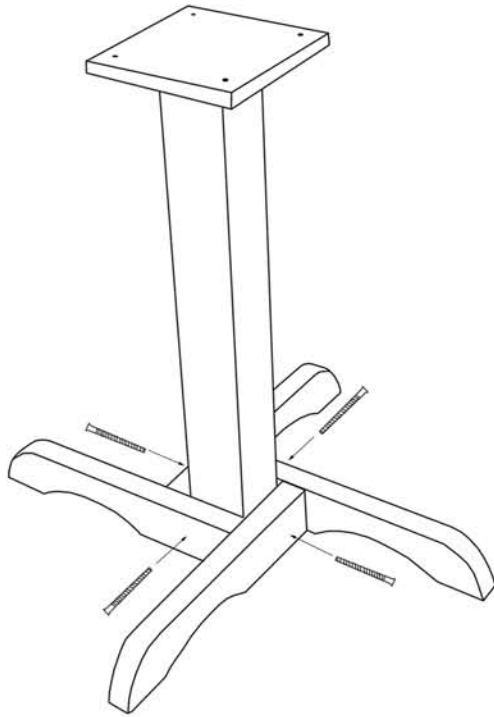




## STANFORD BISTRO TABLE INSTRUCTIONS

---



### STEP 1:

INSERT THE SUPPORT POST INTO THE BASE MAKING SURE TO ALIGN THE NUMBERS. ATTACH USING (4) 4" SCREWS.

### STEP 2:

INSTALL THE BASE AND POST TO THE TABLE USING (4) WASHERS AND (4) 5/16 X 2" BOLTS.

