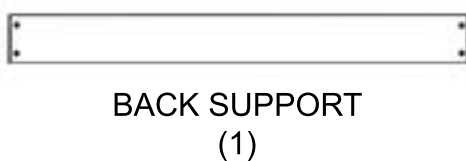
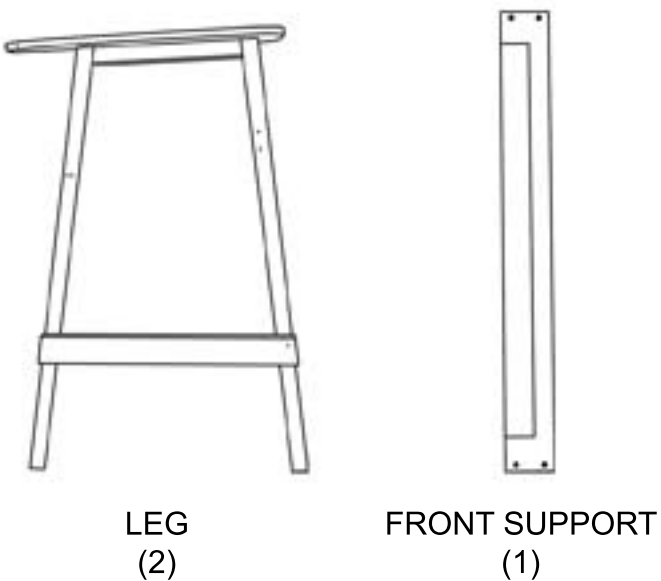
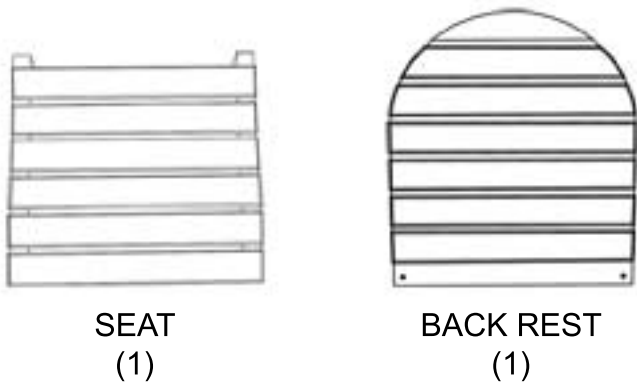




C321 CAPTAINS CHAIR INSTRUCTIONS

MATERIALS



STEP 1:
Attach the back rest to the seat using (2) 2 3/4" screws.

STEP 2:
Attach one leg using (5) 2 3/4" screws. Flip the chair over and attach the other leg in the same fashion.



STEP 3:
Attach the front and back supports using (8) 2 3/4" screws.

STEP 4:
Install (2) 4 3/4" screws into the sides of the front brace.

