



C320 LA JOLLA BAR TABLE INSTRUCTIONS

MATERIALS



2 3/4" SCREW

(12)



ALLEN WRENCH

(1)

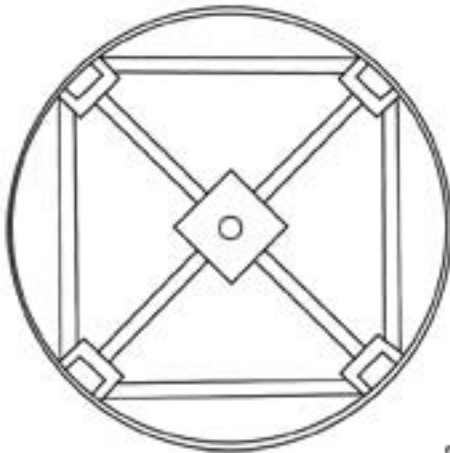
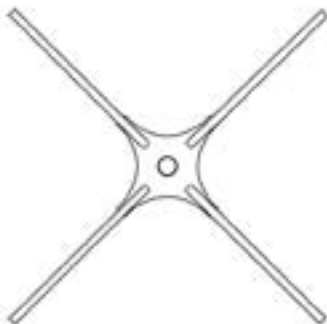


TABLE TOP

(1)



LEG SUPPORT

(1)

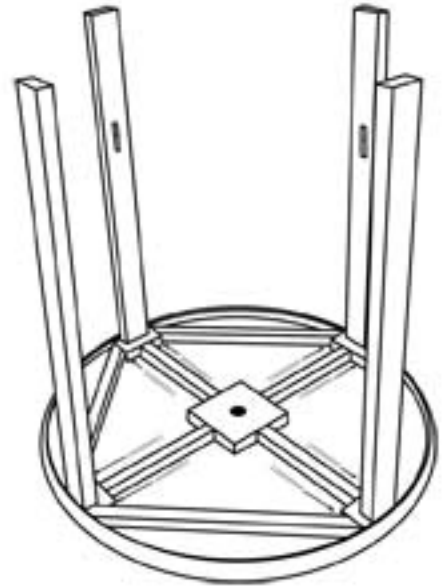


LEG

(4)

STEP 1:

Insert the four legs into the slots on the under side of the table top. Secure using (8) 2 3/4" screws.



STEP 2:

Install the leg supports using (4) 2 3/4" screws. **note the curved portions of the support should face up when installing.*

